

## SECTION 9G

# INTERIOR TRIM

**CAUTION:** Disconnect the negative battery cable before removing or installing any electrical unit or when a tool or equipment could easily come in contact with exposed electrical terminals. Disconnecting this cable will help prevent personal injury and damage to the vehicle. The ignition must also be in LOCK unless otherwise noted.

## TABLE OF CONTENTS

<p><b>Specifications</b> ..... 9G-1</p> <p style="padding-left: 20px;">Fastener Tightening Specifications ..... 9G-1</p> <p><b>Special Tools</b> ..... 9G-2</p> <p style="padding-left: 20px;">Special Tools Table ..... 9G-2</p> <p><b>Maintenance and Repair</b> ..... 9G-3</p> <p>On-Vehicle Service ..... 9G-3</p> <p style="padding-left: 20px;">Front Door Trim Panel ..... 9G-3</p> <p style="padding-left: 20px;">Rear Door Trim Panel ..... 9G-4</p> <p style="padding-left: 20px;">A-Pillar Trim Panel ..... 9G-6</p> <p style="padding-left: 20px;">Upper B-Pillar Trim Panel ..... 9G-7</p> <p style="padding-left: 20px;">Lower B-Pillar Trim Panel ..... 9G-8</p> <p style="padding-left: 20px;">C-Pillar Trim Panel ..... 9G-9</p> <p style="padding-left: 20px;">Deck Lid Sill Plate Cover ..... 9G-10</p> <p style="padding-left: 20px;">Kick Panel ..... 9G-11</p>	<p>Front Rocker Trim Panel ..... 9G-11</p> <p>Rear Rocker Trim Panel ..... 9G-12</p> <p>Floor Console ..... 9G-13</p> <p>Cupholder ..... 9G-15</p> <p>Floor Carpet ..... 9G-16</p> <p>Luggage Compartment Wheelhouse Trim Panel ..... 9G-18</p> <p>Luggage Compartment Rear Trim Panel ..... 9G-19</p> <p><b>General Description and System</b></p> <p><b>Operation</b> ..... 9G-20</p> <p style="padding-left: 20px;">Interior Trim Panels ..... 9G-20</p> <p style="padding-left: 20px;">Pressure Relief Vent ..... 9G-20</p> <p style="padding-left: 20px;">Floor Console ..... 9G-20</p> <p style="padding-left: 20px;">Floor Carpet ..... 9G-20</p>
--	--

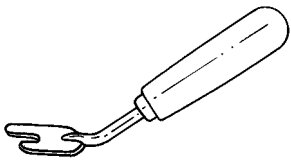
## SPECIFICATIONS

### FASTENER TIGHTENING SPECIFICATIONS

Application	N•m	Lb-Ft	Lb-In
Console-to-Parking Brake Assembly Screw	4	–	35
Cupholder Screw	2.5	–	22
Door Trim Panel Screws	2.5	–	22
Floor Console Screws	2.5	–	22
Gearshift Housing Bolts	7	–	62
Seat Belt Anchor Bolt	37	27	–

## SPECIAL TOOLS

### SPECIAL TOOLS TABLE

 <p>A109G029</p>	<p><b>KM-475-B</b> <b>Trim Remover</b></p>
--	--

## MAINTENANCE AND REPAIR

### ON-VEHICLE SERVICE

#### FRONT DOOR TRIM PANEL

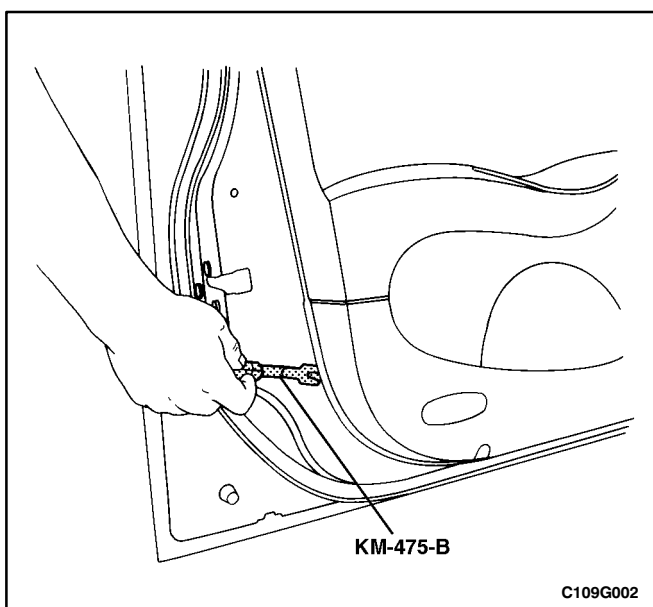
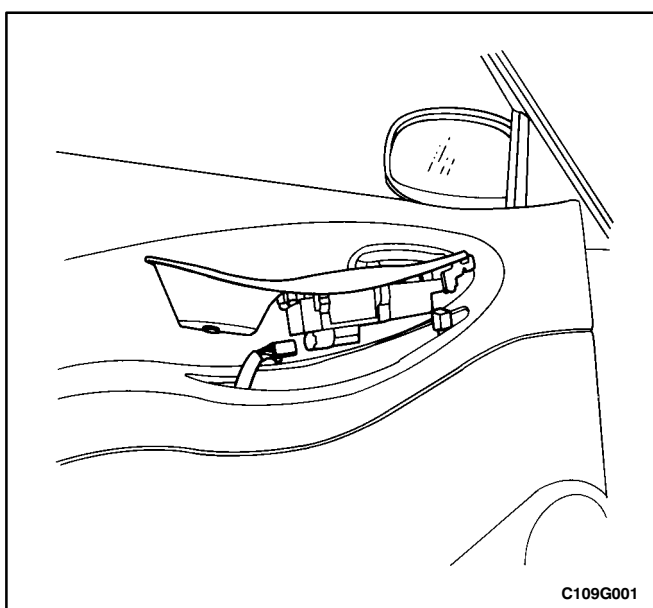
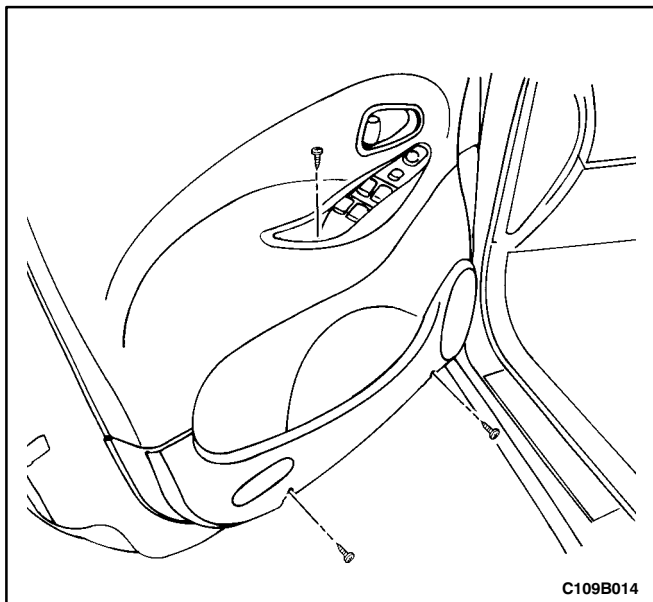
(Left-Hand Drive Shown, Right-Hand Drive Similar)

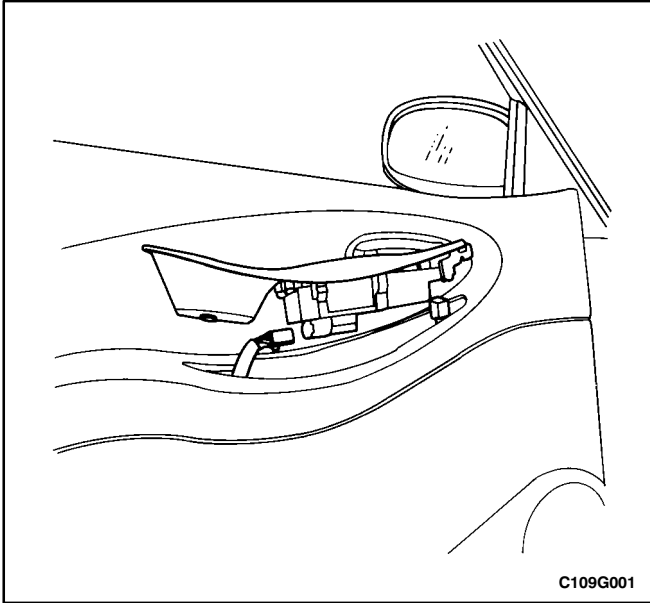
##### Tools Required

KM-475-B Trim Remover

##### Removal Procedure

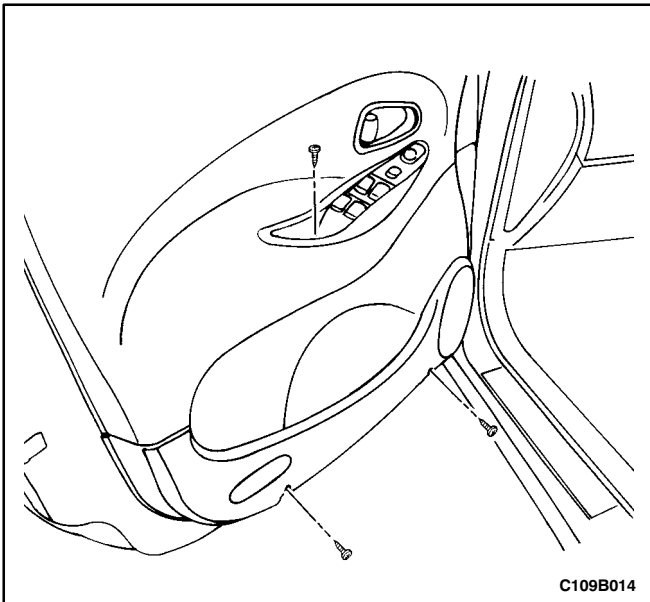
1. Lower the front window.
2. Pry off the inside door handle trim bezel.
3. Remove the door trim panel screws.
4. Remove the power window/mirror control switch.
5. Disconnect the power window/mirror control switch electrical connectors.
6. Pry off the trim panel using the trim remover KM-475-B.
7. Remove the door step lamp.





### Installation Procedure

1. Install the door step lamp.
2. Install the trim panel.
3. Connect the power window/mirror control electrical connectors.
4. Install the power window/mirror control switch.

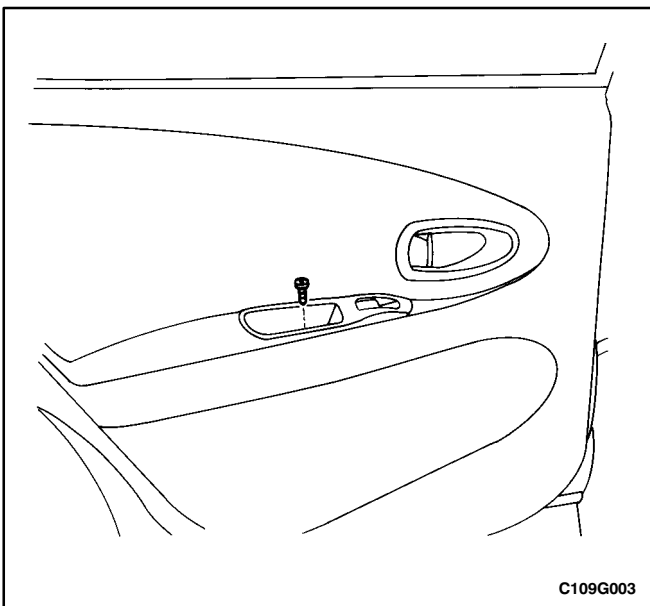


5. Install the door trim panel screws.

### Tighten

Tighten the door trim panel screws to 2.5 N•m (22 lb-in).

6. Install the inside door handle trim bezel.
7. Raise the front window.



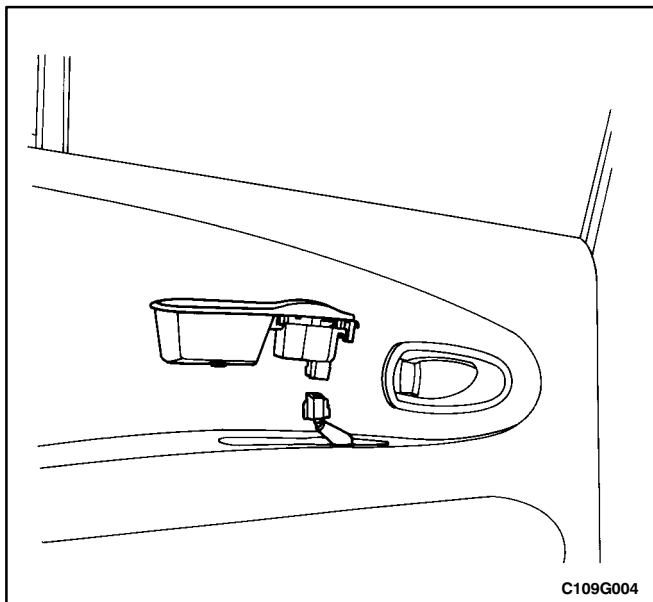
## REAR DOOR TRIM PANEL

### Tools Required

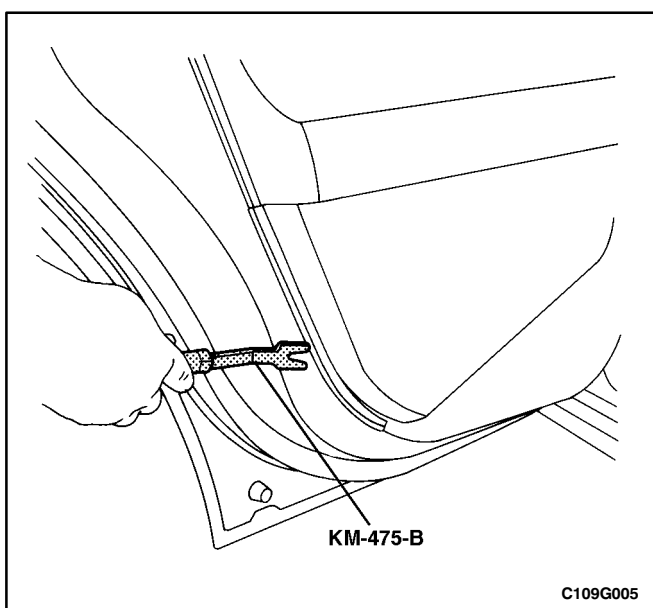
KM-475-B Trim Remover

### Removal Procedure

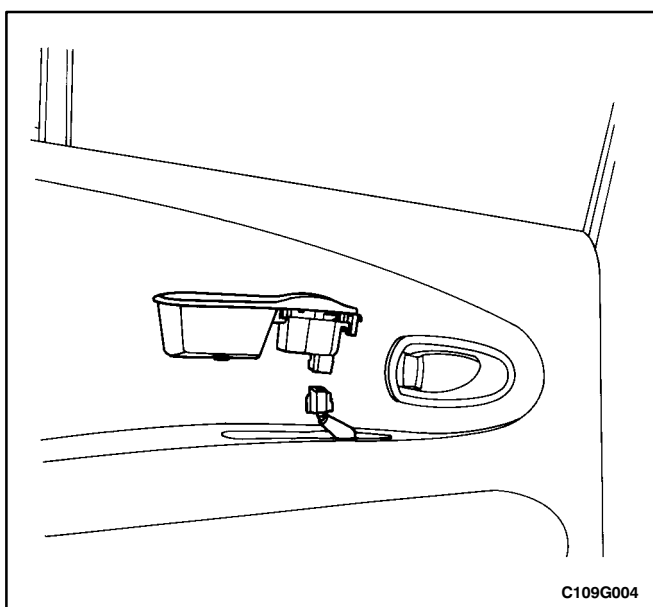
1. Lower the rear window.
2. Remove the manual rear window regulator, if equipped. Refer to *Section 9P, Doors*.
3. Pry off the inside door handle trim bezel.
4. Remove the door trim panel screw (power rear window regulator shown, manual rear window regulator similar).



4. Remove the power window control switch.
5. Disconnect the power window control switch electrical connector (power rear window regulator shown, manual rear window regulator similar).

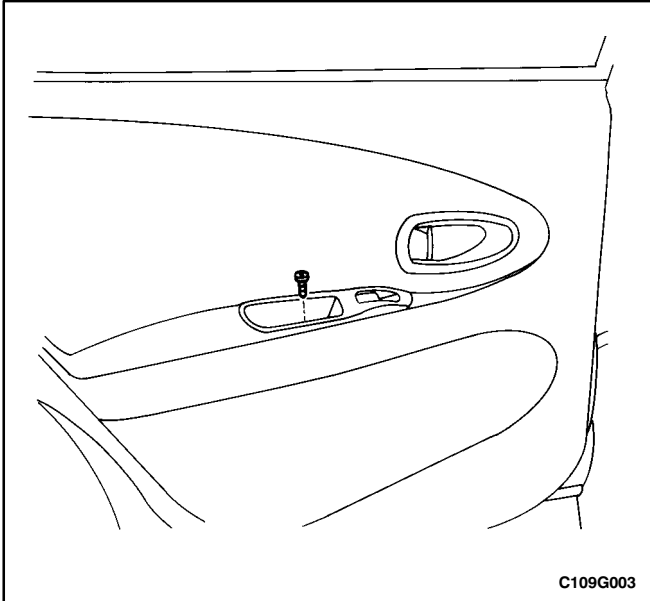


6. Pry off the trim panel using the trim remover KM-475-B.



### Installation Procedure

1. Install the trim panel.
2. Connect the power window control switch electrical connector.
3. Install the power window control switch.

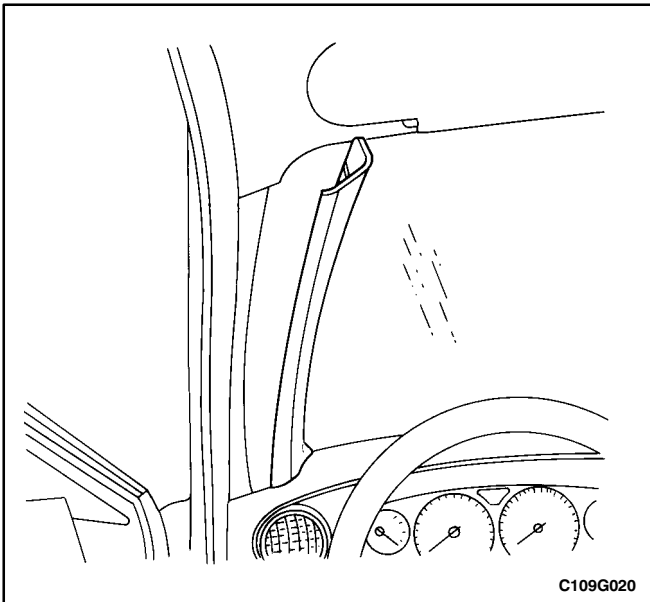


4. Install the door trim panel screw (power rear window regulator shown, manual rear window regulator similar).

**Tighten**

Tighten the door trim panel screw to 2.5 N•m (22 lb-in).

5. Install the inside door handle trim bezel.
6. Install the manual rear window regulator, if equipped. Refer to *Section 9P, Doors*.
7. Raise the rear window.

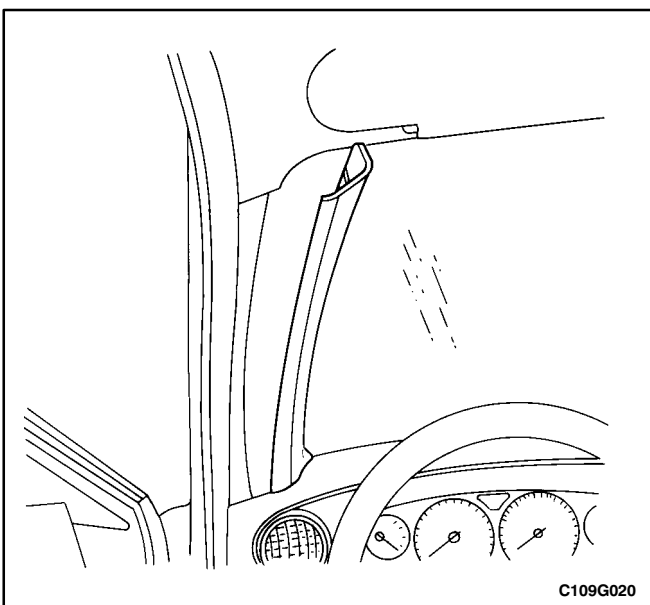


**A-PILLAR TRIM PANEL**

(Left-Hand Drive Shown, Right-Hand Drive Similar)

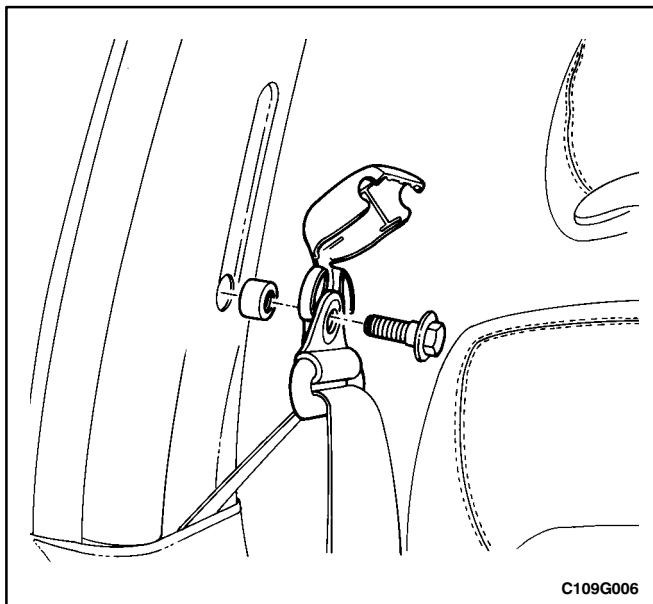
**Removal Procedure**

1. Remove the A-pillar trim panel.



**Installation Procedure**

1. Install the A-pillar trim panel.

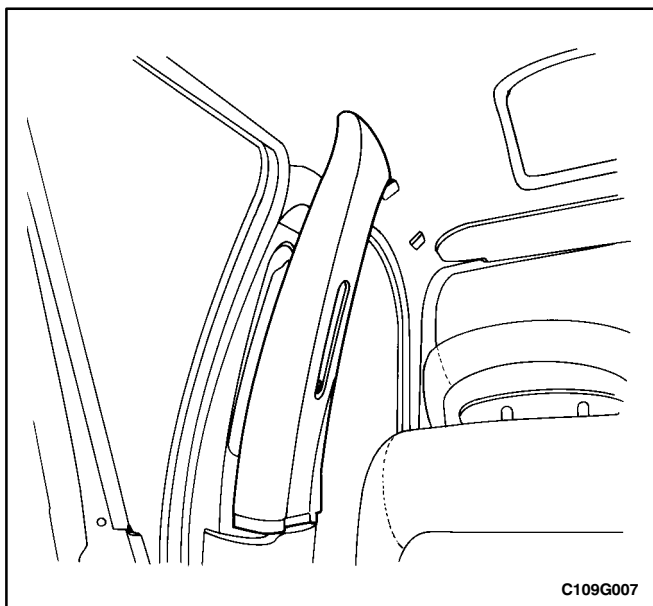


C109G006

## UPPER B-PILLAR TRIM PANEL

### Removal Procedure

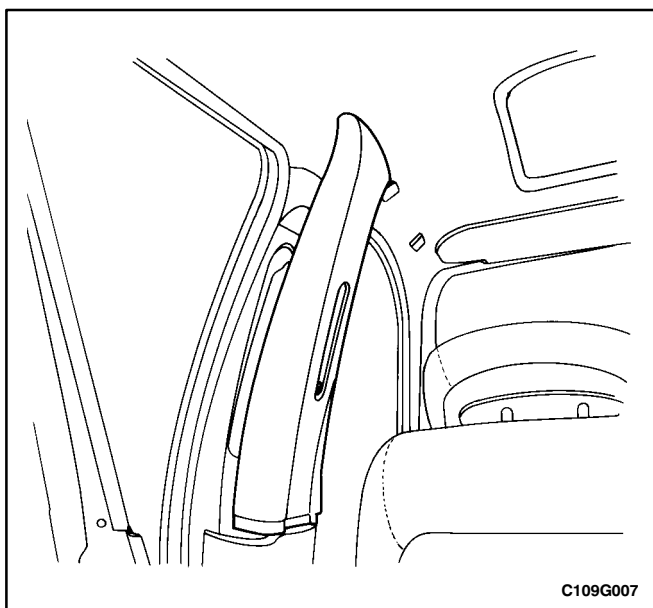
1. Remove the bolt and the upper front seat belt anchor.



C109G007

2. Reposition the upper portion of the lower B-pillar trim panel.

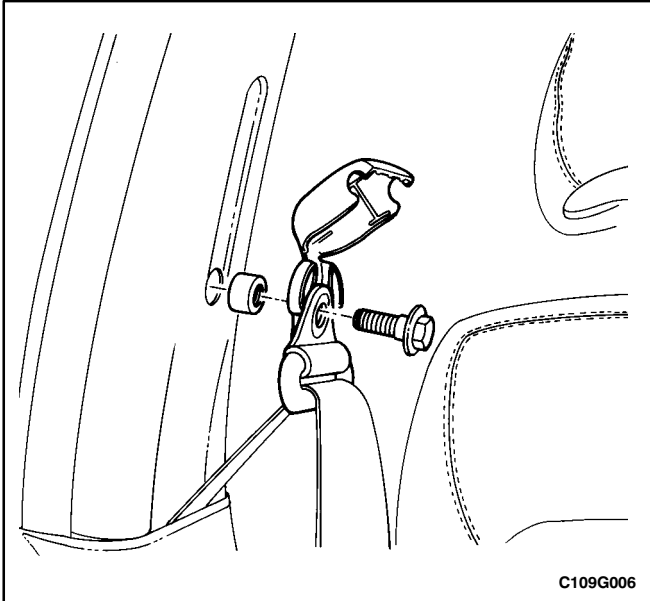
3. Pry off the upper B-pillar trim panel.



C109G007

### Installation Procedure

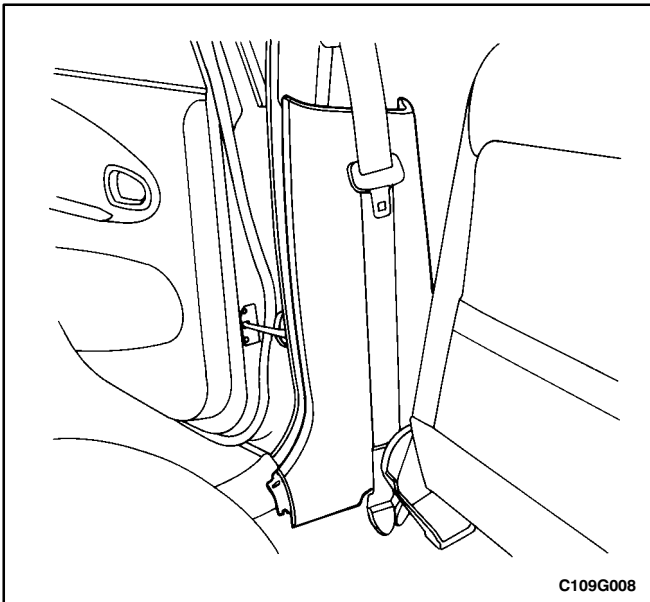
1. Install the upper B-pillar trim panel.



2. Install the upper portion of the lower B-pillar trim panel to its original position.
3. Install the upper front seat belt anchor with the bolt.

### **Tighten**

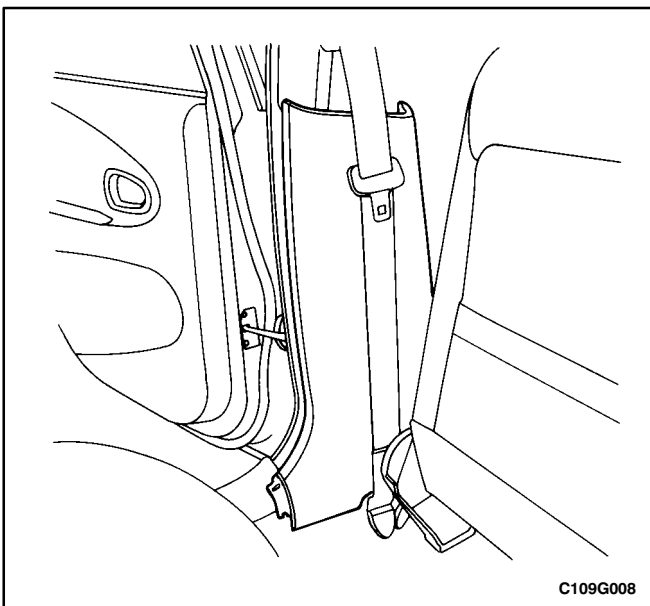
Tighten the seat belt anchor bolt to 37 N•m (27 lb-ft).



## **LOWER B-PILLAR TRIM PANEL**

### **Removal Procedure**

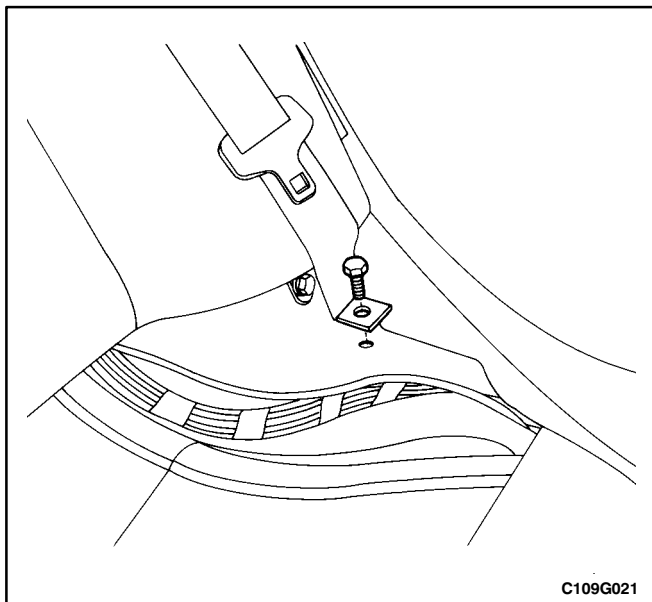
1. Reposition the rear portion of the front rocker trim panel and the front portion of the rear rocker trim panel.
2. Remove the lower B-pillar trim panel.



### **Installation Procedure**

1. Install the lower B-pillar trim panel.
2. Install the front rocker trim panel and the rear rocker trim panel to their original positions.

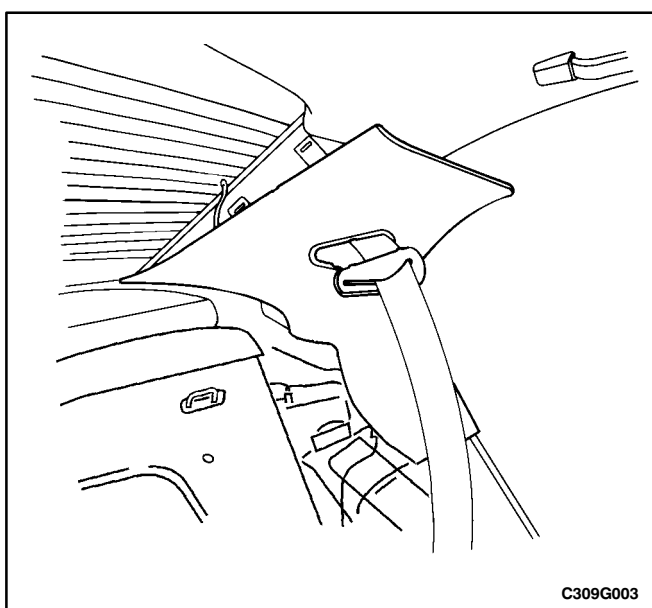




## C-PILLAR TRIM PANEL

### Removal Procedure

1. Remove the bolt and the rear seat belt floor anchor.

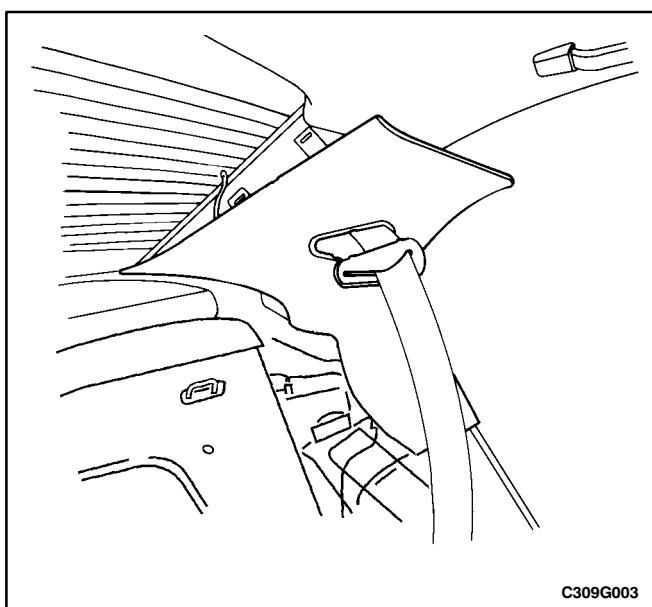


2. Remove the rear seat side bolster cushion. Refer to *Section 9H, Seats*.

3. Pry off the C-pillar trim panel from the body.

4. Remove the seat belt trim piece.

5. Remove the C-pillar trim panel from the seat belt.

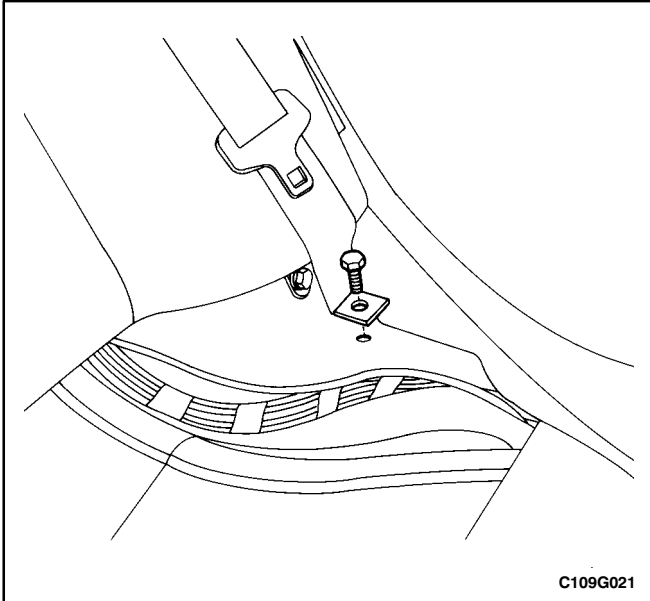


### Installation Procedure

1. Feed the seat belt through the C-pillar trim panel.

2. Install the seat belt trim piece.

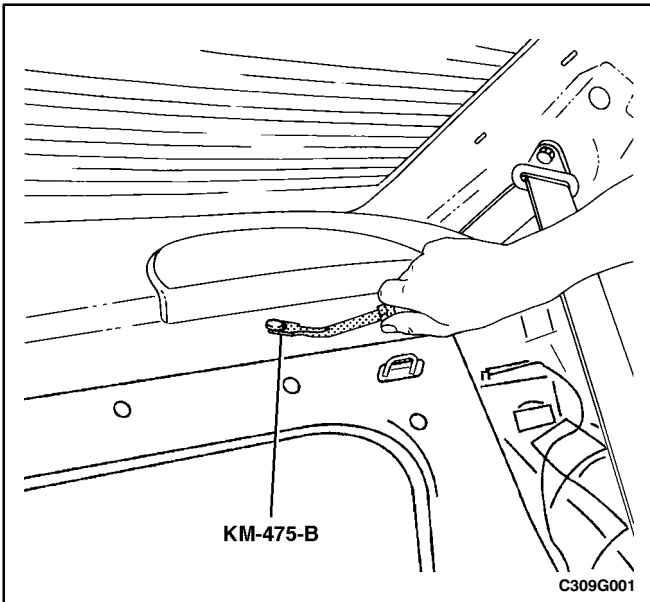
3. Install the C-pillar trim panel.



4. Install the rear seat side bolster cushion. Refer to *Section 9H, Seats*.
5. Install the rear seat belt floor anchor with the bolt.

**Tighten**

Tighten the seat belt anchor bolt to 37 N•m (27 lb-ft).



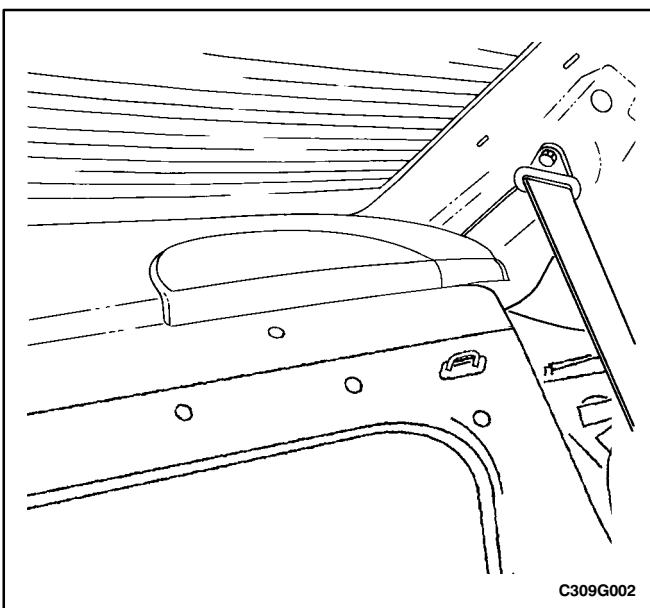
**DECK LID SILL PLATE COVER**

**Tools Required**

KM-475-B Trim Remover

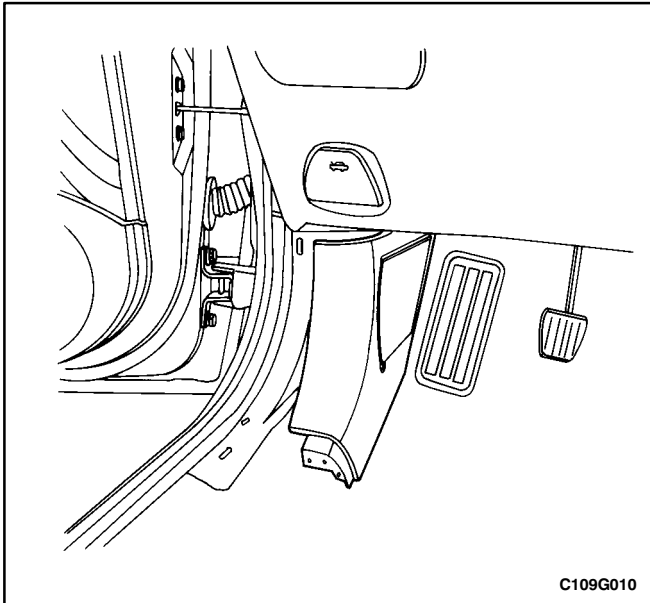
**Removal Procedure**

1. Remove the rear seat side bolster cushion. Refer to *Section 9H, Seats*.
2. Lower the rear seatback.
3. Remove the left side C-pillar trim panel.
4. Remove the plastic retaining clips and the rear deck lid sill plate cover using the trim remover KM-475-B.



**Installation Procedure**

1. Install the rear deck lid sill plate cover with the plastic retaining clips.
2. Install the left side C-pillar trim panel.
3. Install the rear seat side bolster cushion. Refer to *Section 9H, Seats*.



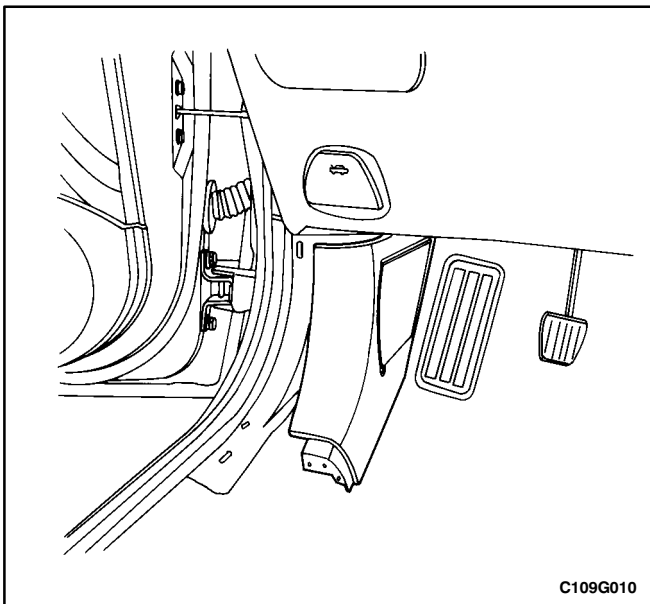
C109G010

## KICK PANEL

(Left-Hand Drive Shown, Right-Hand Drive Similar)

### Removal Procedure

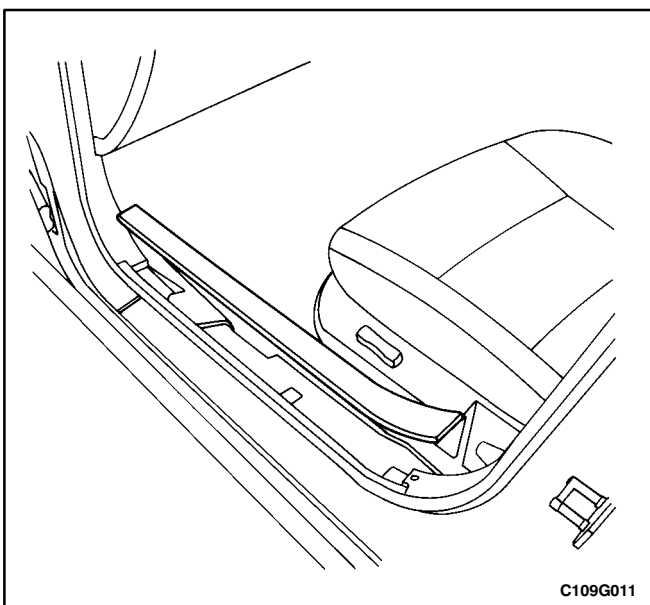
1. Remove the front rocker trim panel.
2. Remove the kick panel.



C109G010

### Installation Procedure

1. Install the kick panel.
2. Install the front rocker trim panel.

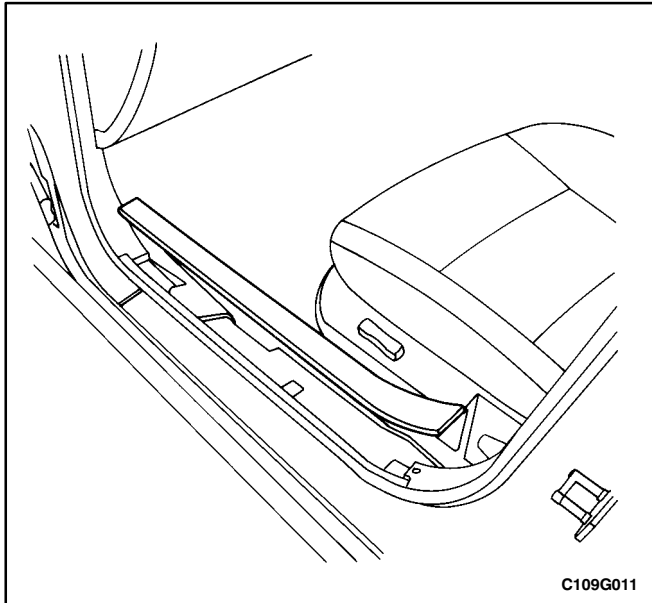


C109G011

## FRONT ROCKER TRIM PANEL

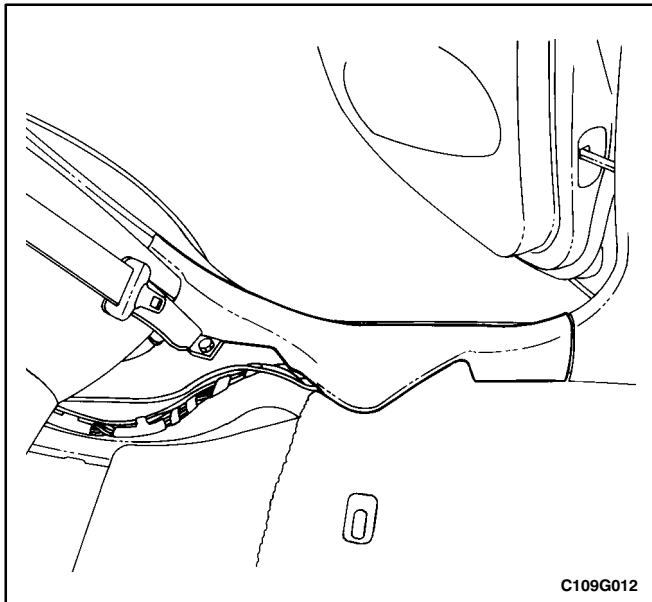
### Removal Procedure

1. Remove the front rocker trim panel.



### Installation Procedure

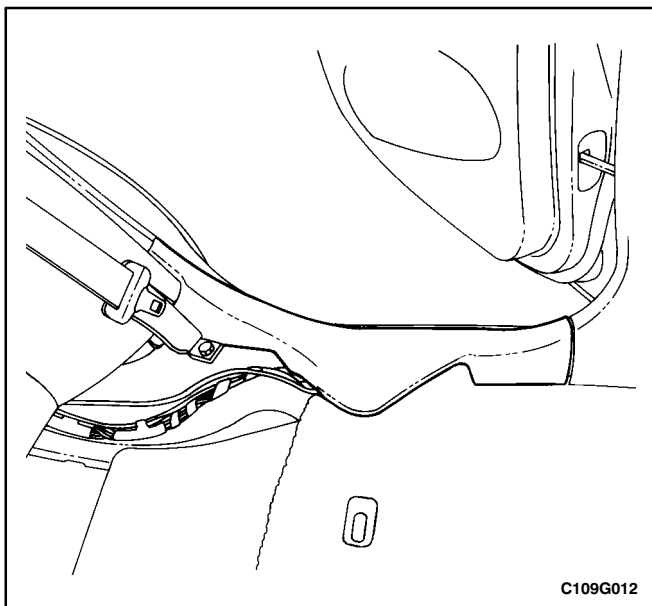
1. Install the front rocker trim panel.



### REAR ROCKER TRIM PANEL

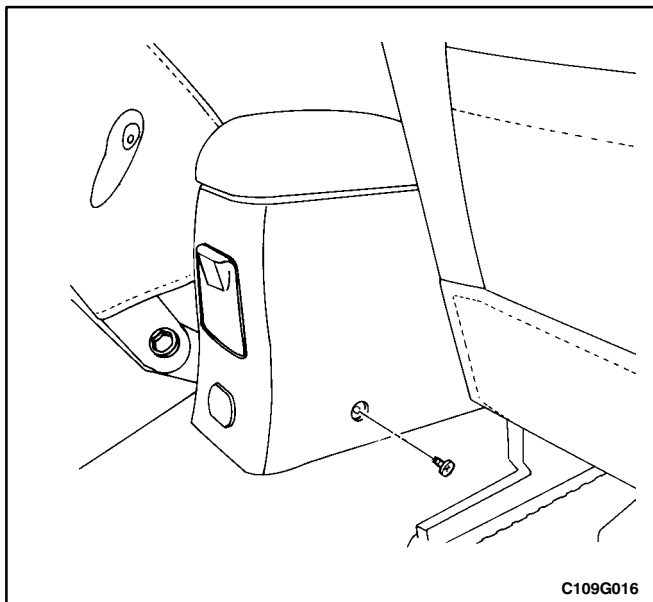
#### Removal Procedure

1. Reposition the rear seat cushion.
2. Remove the rear rocker trim panel.



#### Installation Procedure

1. Install the rear rocker trim panel.
2. Install the rear seat cushion to its original position.



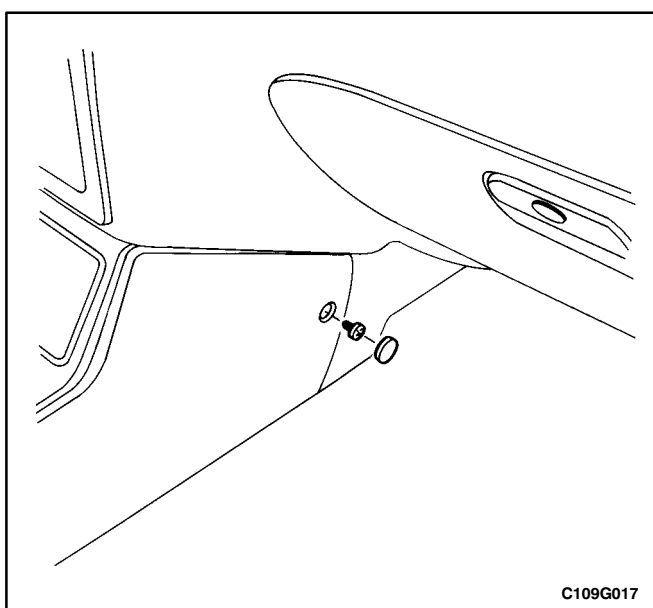
C109G016

## FLOOR CONSOLE

(Left-Hand Drive Shown, Right-Hand Drive Similar)

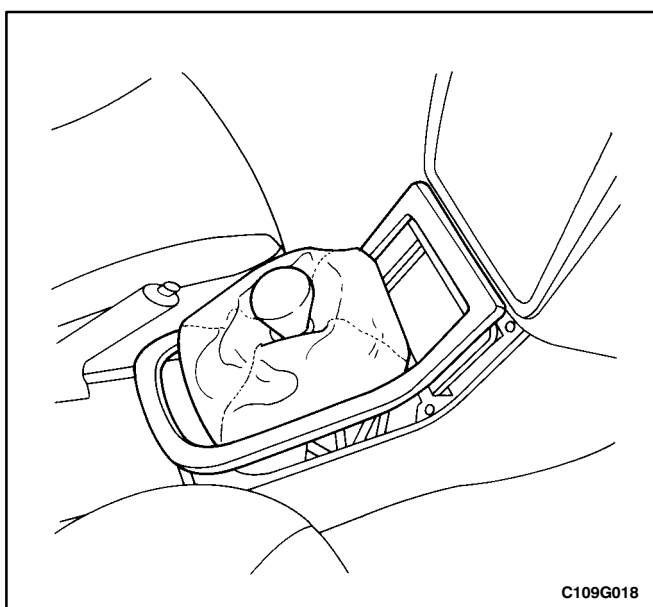
### Removal Procedure

1. Disconnect the negative battery cable.
2. Remove the screws from the rear portion of the floor console.



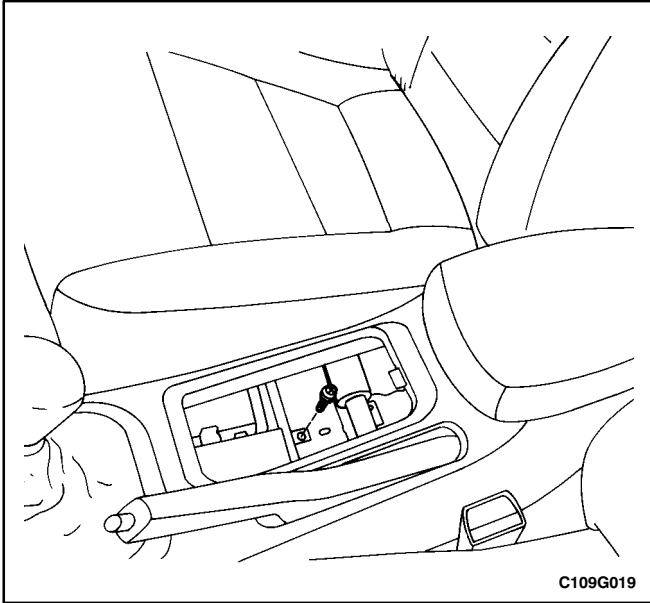
C109G017

3. Remove the cupholder. Refer to "Cupholder" in this section.
4. Remove the screws from the front portion of the floor console.

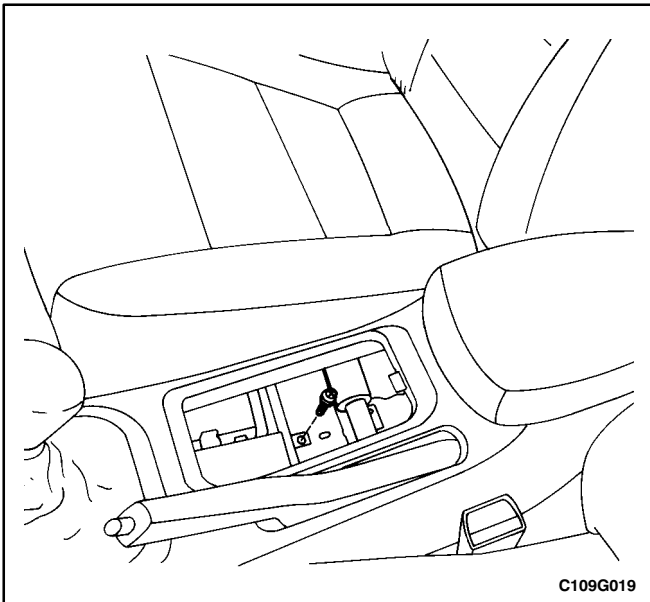


C109G018

5. Remove the shift lever boot (if equipped).
6. Remove the shift lever trim panel.



7. Remove the console-to-parking brake assembly screw.
8. Remove the floor console.
9. Disconnect the ashtray and cigar lighter electrical connector.

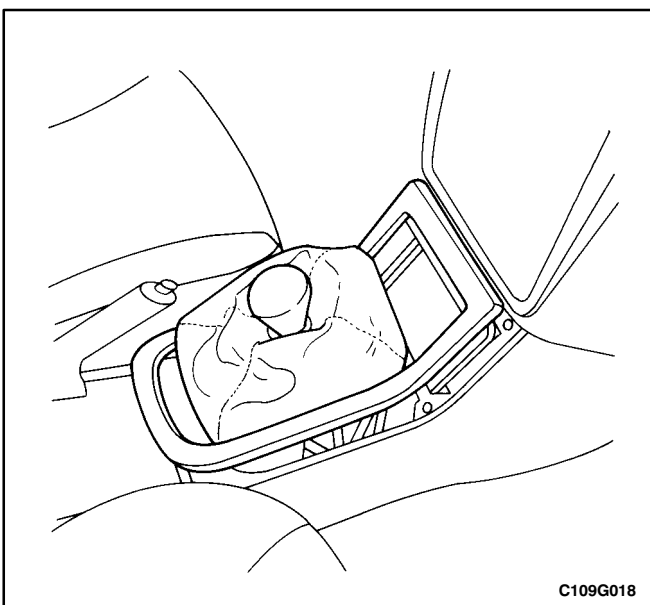


### Installation Procedure

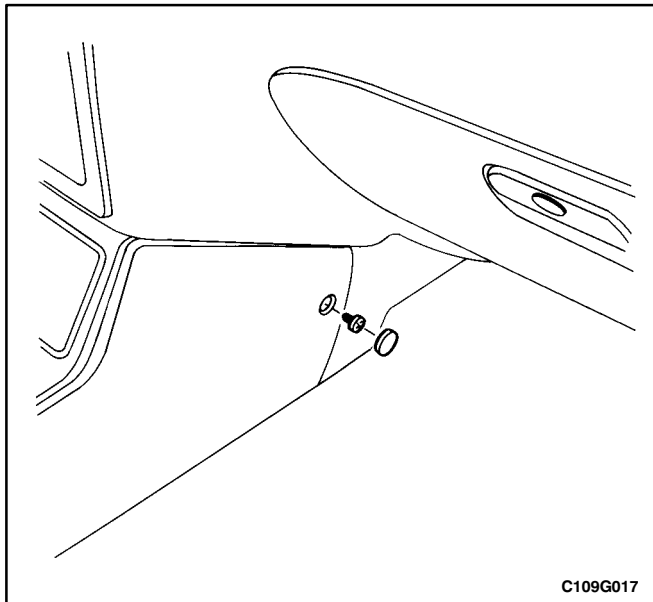
1. Connect the ashtray and cigar lighter electrical connector.
2. Install the floor console.
3. Install the console-to-parking brake assembly screw.

### Tighten

Tighten the console-to-parking brake assembly screw to 4 N•m (35 lb-in).



4. Install the shift lever trim panel.
5. Install the shift lever boot (if equipped).

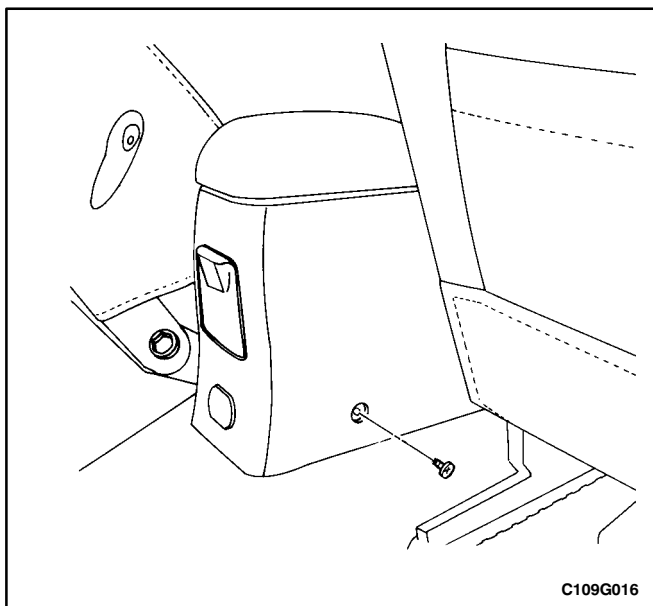


C109G017

6. Install the screws into the front portion of the floor console.

**Tighten**

Tighten the floor console screws to 2.5 N•m (22 lb-in).



C109G016

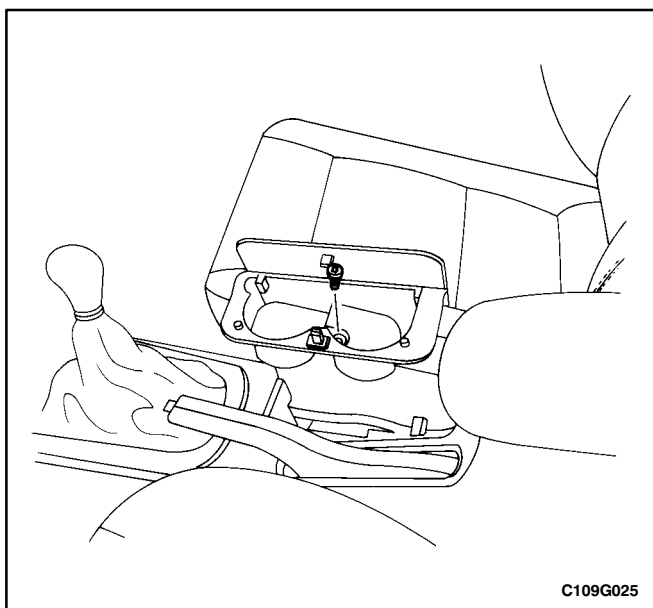
7. Install the cupholder. Refer to "Cupholder" in this section.

8. Install the rear portion of the floor console with the screws.

**Tighten**

Tighten the floor console screws to 2.5 N•m (22 lb-in).

9. Connect the negative battery cable.



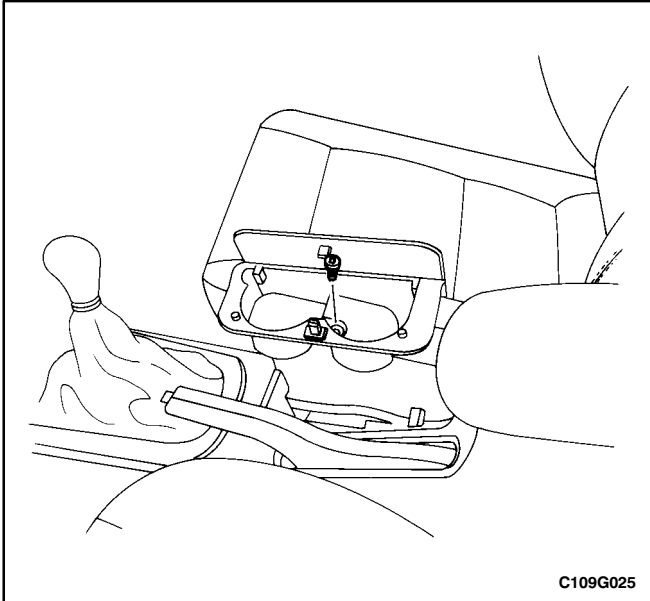
C109G025

**CUPHOLDER**

(Left-Hand Drive Shown, Right-Hand Drive Similar)

**Removal Procedure**

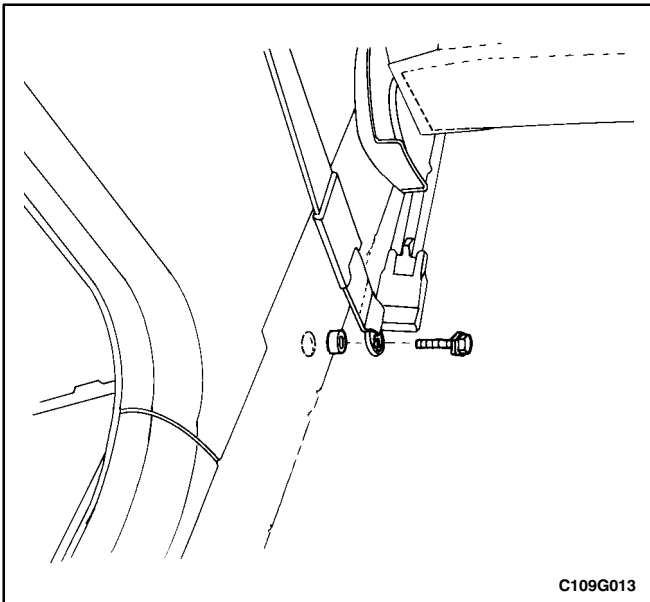
1. Remove the screw and the cupholder.



1. Install the cupholder with the screw.

### Tighten

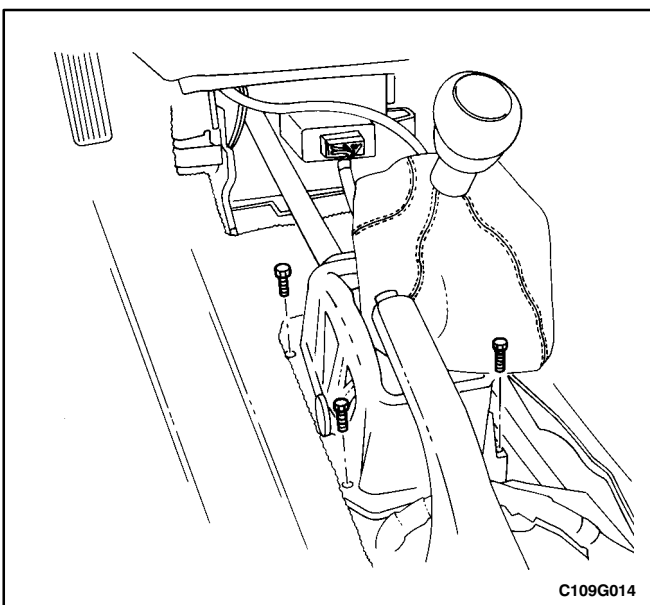
Tighten the cupholder screw to 2.5 N•m (22 lb-in).



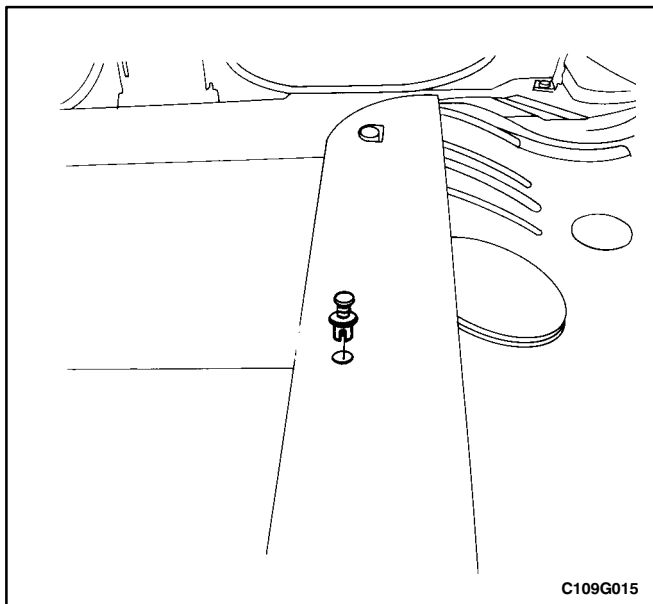
## FLOOR CARPET

### Removal Procedure

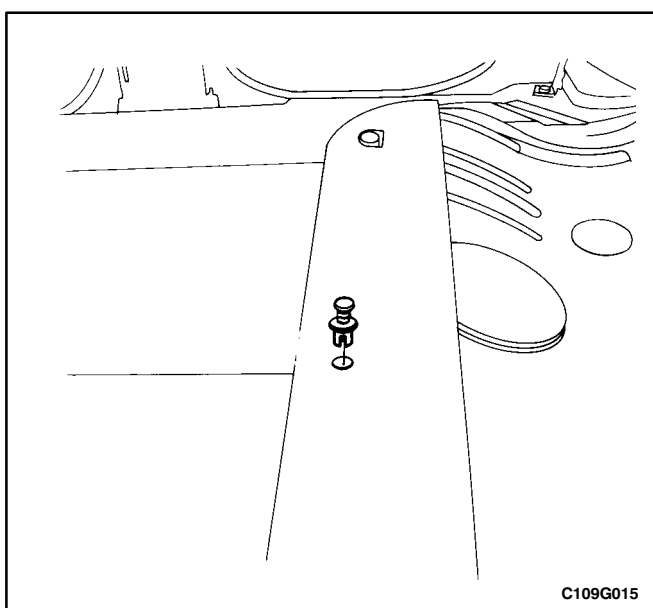
1. Disconnect the negative battery cable.
2. Remove the rear seat cushion. Refer to *Section 9H, Seats*.
3. Remove the left and the right rear rocker trim panels. Refer to "Rear Rocker Trim Panel" in this section.
4. Remove the bolts and the left and the right lower front seat belt anchors from the B-pillar.
5. Remove the left and the right front rocker trim panels.
6. Remove the left and the right lower B-pillar trim panels. Refer to "Lower B-Pillar Trim Panel" in this section.
7. Remove the front seats. Refer to *Section 9H, Seats*.
8. Remove the left and the right kick panels. Refer to "Kick Panel" in this section.
9. Remove the floor console. Refer to "Floor Console" in this section.
10. Remove the gearshift housing bolts and reposition the gearshift housing.





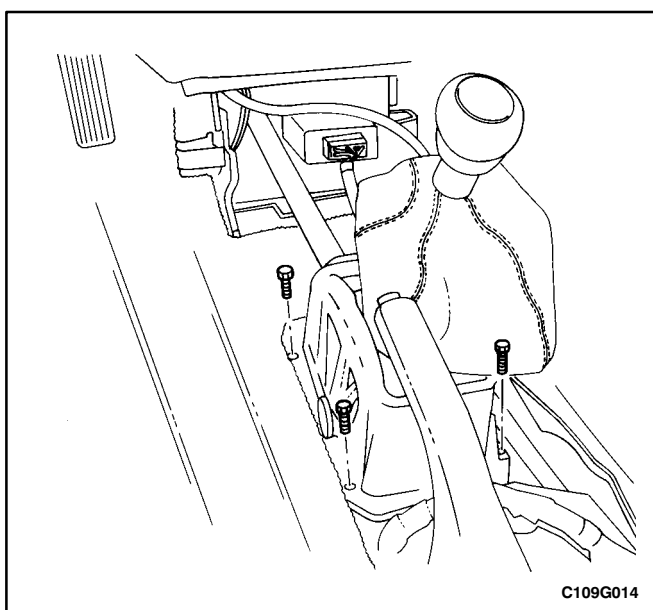


11. Remove the floor carpet retaining clip.
12. Remove the floor carpet.



### Installation Procedure

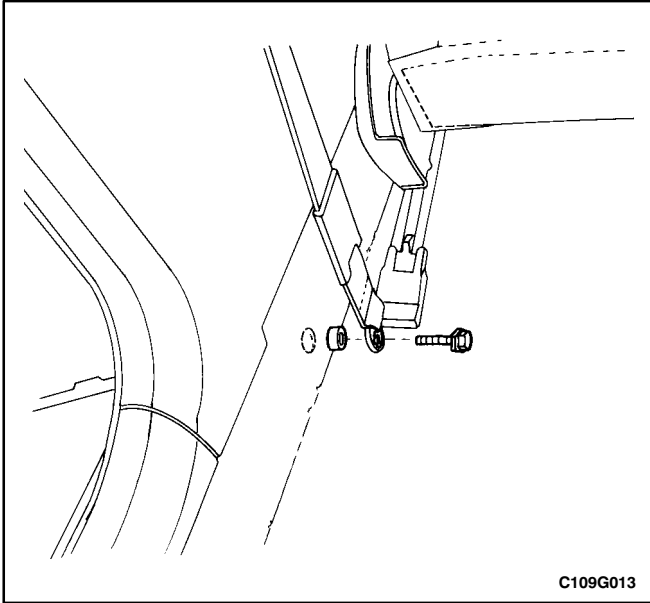
1. Install the floor carpet.
2. Install the floor carpet retaining clips.



3. Install the gearshift housing with the bolts.

### Tighten

Tighten the gearshift housing bolts to 7 N•m (62 lb-in).



4. Install the floor console. Refer to "Floor Console" in this section.
5. Install the left and the right kick panels. Refer to "Kick Panel" in this section.
6. Install the front seats. Refer to *Section 9H, Seats*.
7. Install the left and the right lower B-pillar trim panels. Refer to "Lower B-Pillar Trim Panel" in this section.
8. Install the left and the right front rocker trim panels.
9. Install the left and the right lower front seat belt anchors to the B-pillar with the bolts.

**Tighten**

Tighten the seat belt anchor bolts to 37 N•m (27 lb-ft).

10. Install the left and the right rear rocker trim panels. Refer to "Rear Rocker Trim Panel" in this section.
11. Install the rear seat cushion. Refer to *Section 9H, Seats*.
12. Connect the negative battery cable.

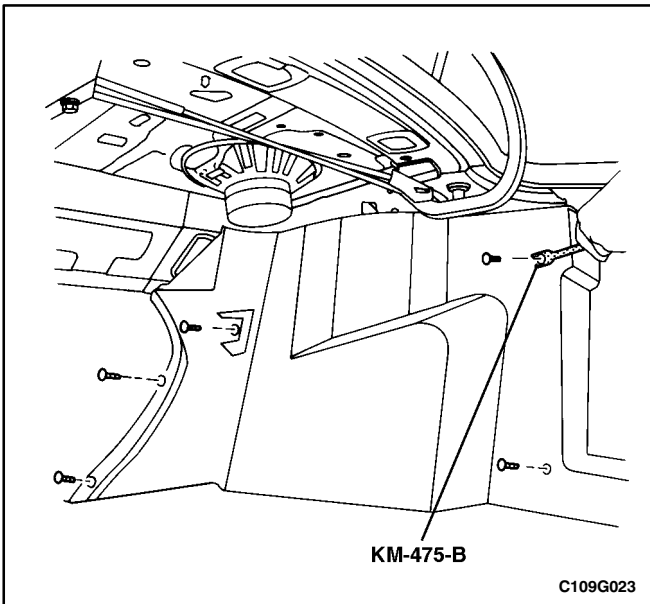
**LUGGAGE COMPARTMENT WHEELHOUSE TRIM PANEL**

**Tools Required**

KM-475-B Trim Remover

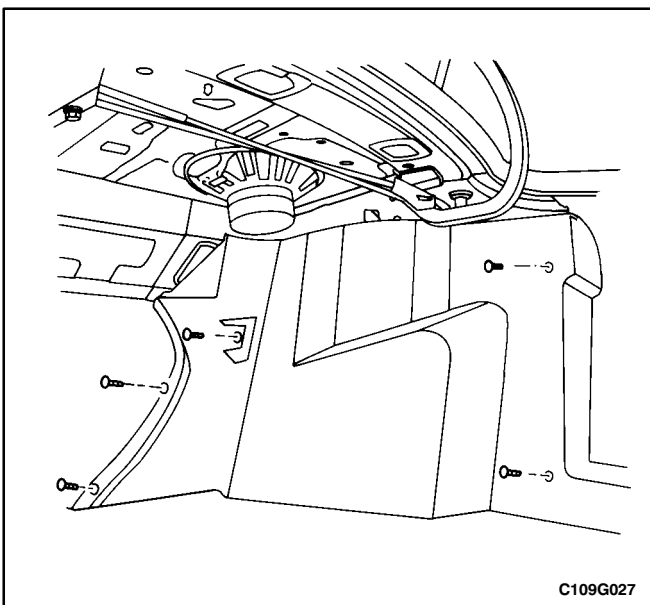
**Removal Procedure**

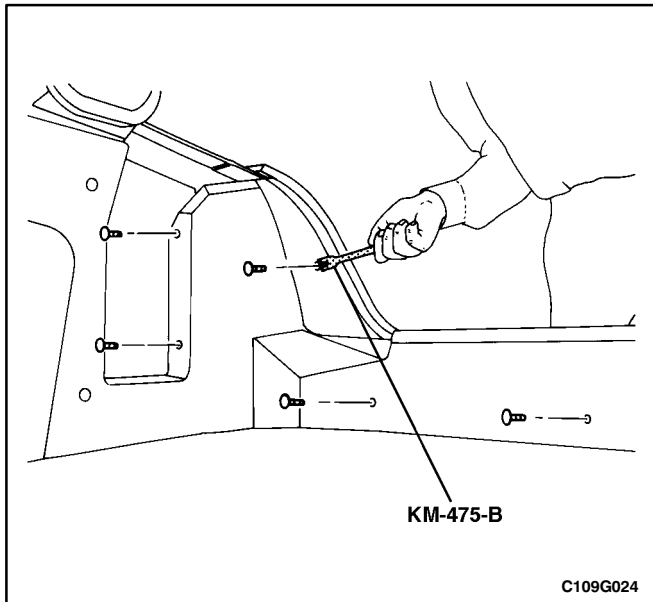
1. Remove the plastic retaining clips using the trim remover KM-475-B and reposition the luggage compartment rear trim panel.
2. Remove the plastic retaining clips and the wheelhouse trim panel.



**Installation Procedure**

1. Install the wheelhouse trim panel with the plastic retaining clips.
2. Install the luggage compartment rear trim panel to its original position.
3. Secure the luggage compartment rear trim panel with the plastic retaining clips.





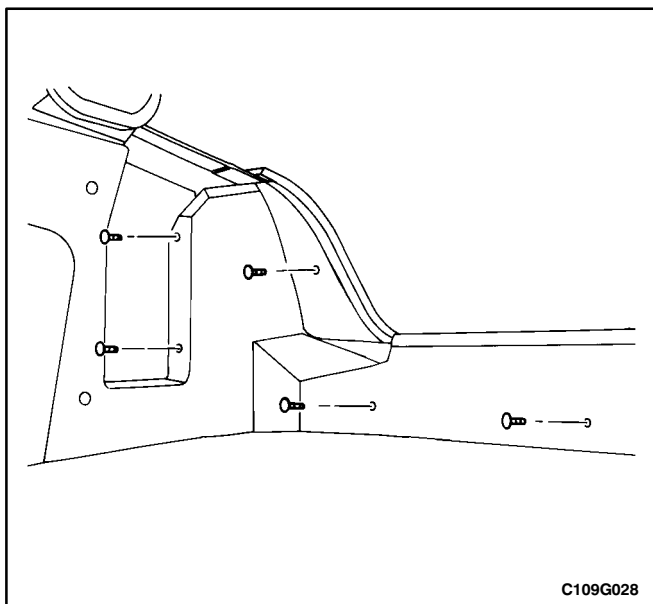
## LUGGAGE COMPARTMENT REAR TRIM PANEL

### Tools Required

KM-475-B Trim Remover

### Removal Procedure

1. Remove the protective trim cover using the trim remover KM-475-B.
2. Remove the plastic retaining clips and the rear trim panel.



### Installation Procedure

1. Install the rear trim panel with the plastic retaining clips.
2. Install the protective trim cover.

## **GENERAL DESCRIPTION AND SYSTEM OPERATION**

### **INTERIOR TRIM PANELS**

The interior trim panels are molded plastic and fasten with screws or plastic clips.

### **PRESSURE RELIEF VENT**

When all the windows are closed and the ventilation system is on, the addition of outside air to the interior of the vehicle causes a positive pressure within the vehicle. In order to relieve the pressure, air is released through a pressure relief vent. The pressure relief vents are located at the rear quarter of the vehicle, behind the bumper fascia.

### **FLOOR CONSOLE**

The floor console fits over the tunnel in the floor of the vehicle and extends from under the center of the instrument panel to the rear seat area. The front portion of

the console contains the cigar lighter and the transaxle shift lever. The rear portion of the console contains the parking brake lever, a cupholder, a storage compartment, and an ashtray for the rear seat occupants.

The sensing and diagnostic module (SDM) for the airbag system and the remote keyless entry module are located under the console.

### **FLOOR CARPET**

The one-piece floor carpet goes over both the front and the rear floor pans.